



**DASnet**

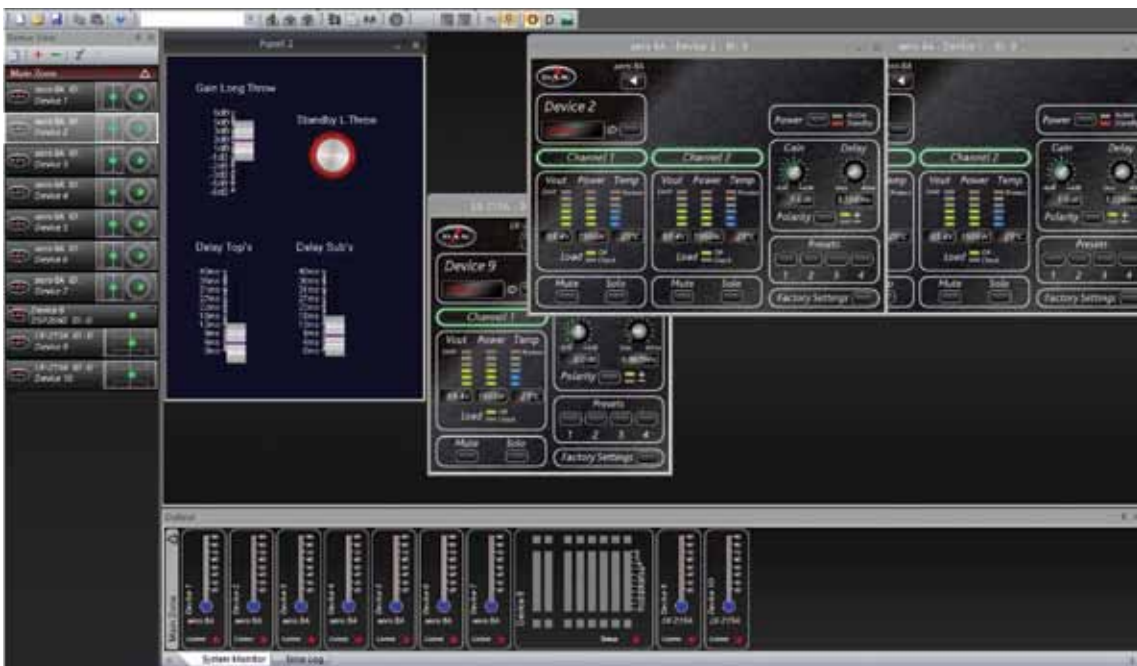
*Preliminary  
Overview*





# DASnet

DASnet is the monitoring and control software for D.A.S. powered sound systems and digital signal processors.

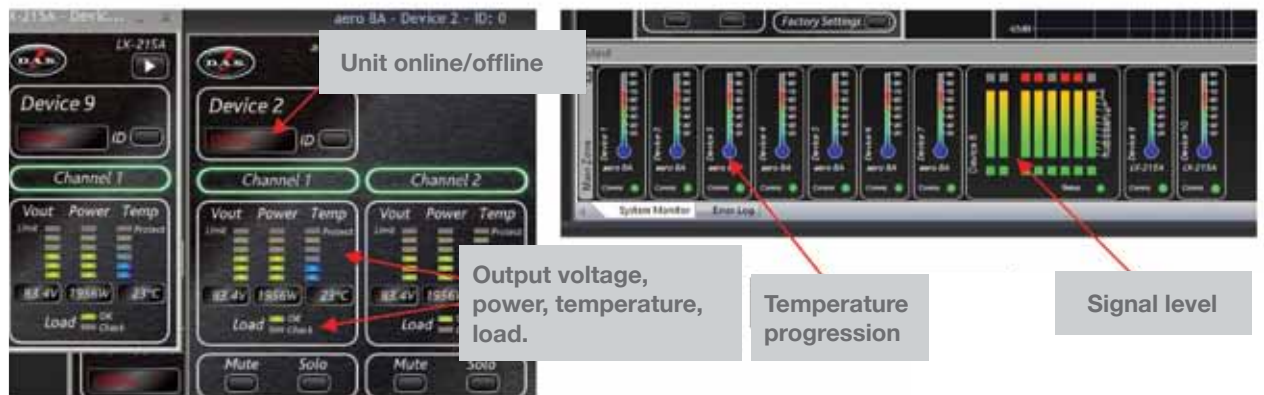


The software offers an intuitive view of:

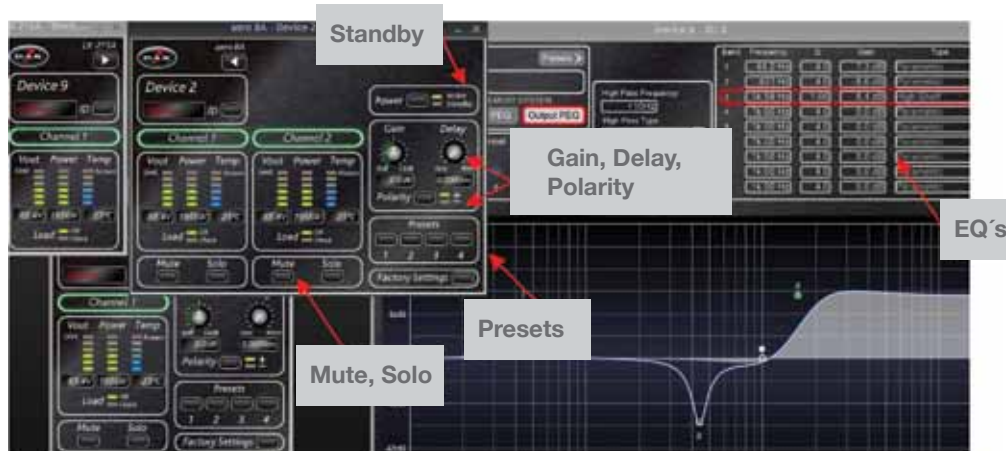
1. The configuration of the systems deployed, with the possibility of grouping units as well as common parameters.



2. The state of each unit in the group supplying info such as, output voltage, power, temperature, signal level, transducer component verification, unit ID and unit online/offline.

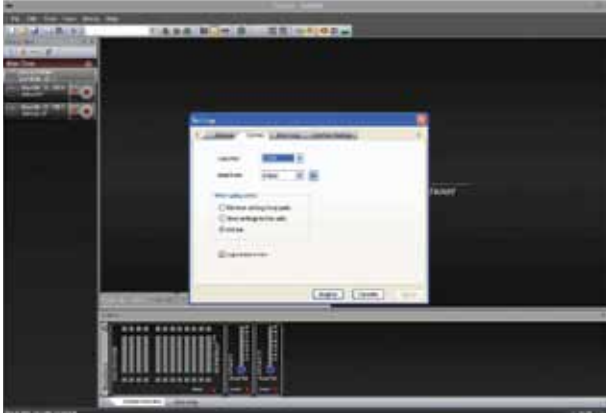


3. The control and adjustment of the principal device parameters, gain, delay, presets, polarity, mute, standby, EQ, limiting in external DSP's, etc.





### Conectivity



The software bases its communications system on the RS485 format.

It is necessary to convert that format at the access port of our computer. The converter will create a virtual COM on our computer that the software will detect automatically and display a menu.

Communication Speedy will be set at 57600 to assure correct functioning.

Different Solutions can be implemented.

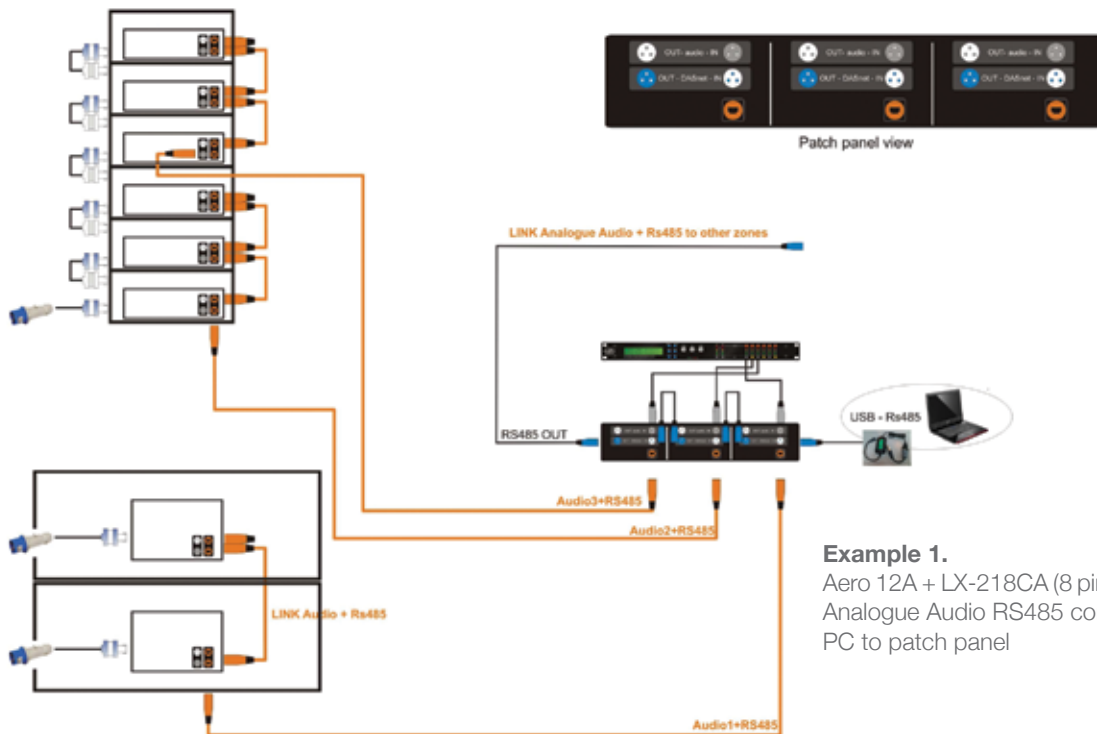


#### Basic: Connection RS485 to USB.

Requires the RS485 to USB converter.

The recommended converter is the USB-485 from KK Systems Ltd.

Easy to install, the converter works as a virtual COM port. Allows for *daisy chaining* multiple units. Form the PC to the first unit, from the fist to the second unit, etc.



#### Example 1.

Aero 12A + LX-218CA (8 pins Ethercon)  
Analogue Audio RS485 connection.  
PC to patch panel





To facilitate connection and minimize the XLR pairs when implementing the system, the **PATCH PANEL** option is available.

The **PATCH PANEL** comprises:

- A connection patch for audio signal and monitoring signal.
- An 8 pair multi-pin cable with an EtherCON connector on both ends.
- End of line bridge (IN/OUT monitoring).



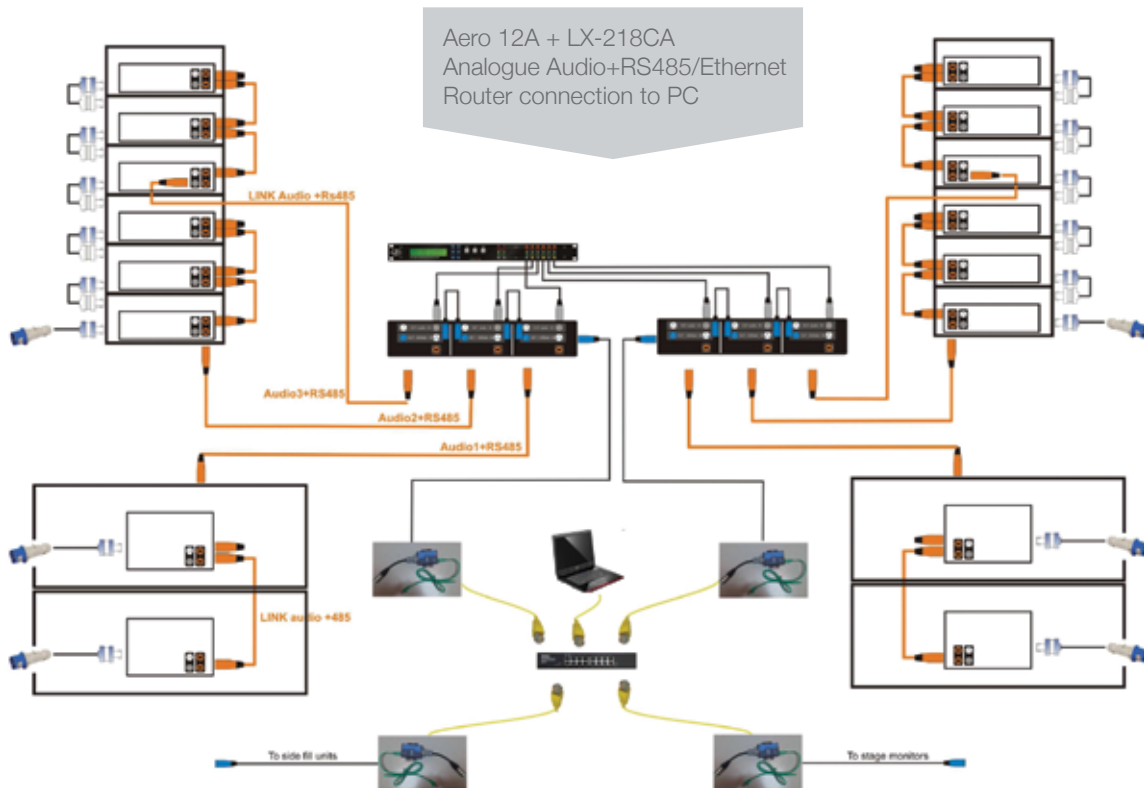
**Ethernet:** RS485 to RJ45 connection. Requires an RS485 to Ethernet protocol converter.

Recommended converter MOXA NPort series.

Easy to install it allows connection of multiple unit groups.

A router or switch is necessary. Recommended model PowerConnect 2816 or equivalent.

The result is the creation of a local area network (LAN) multiplexing the different virtual COM's of each converter into a single virtual com from the software.

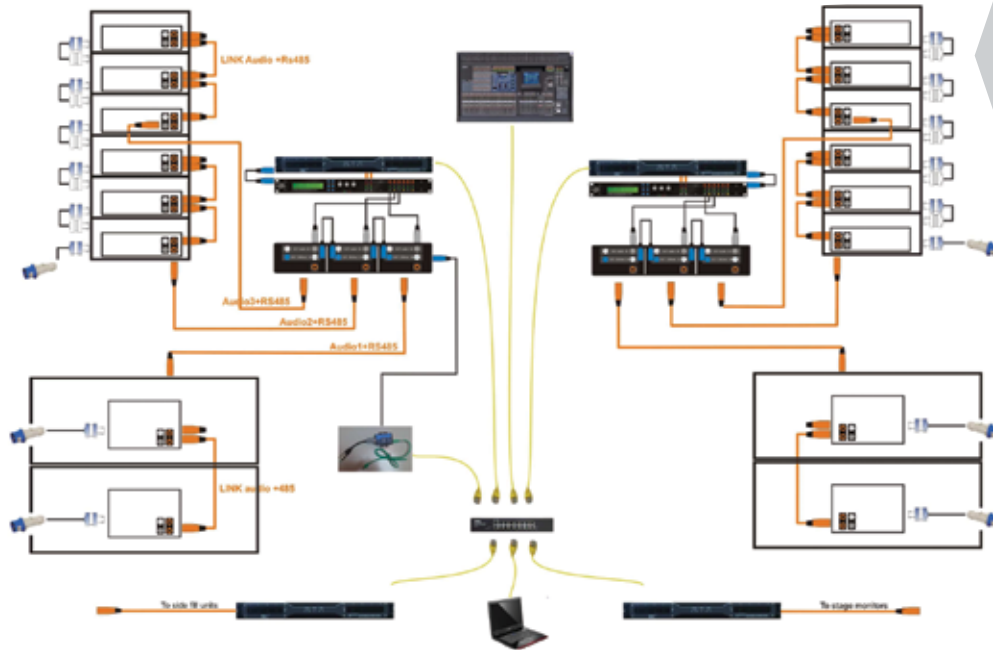




Finally, configuring with digital audio is also possible. We will need the following:

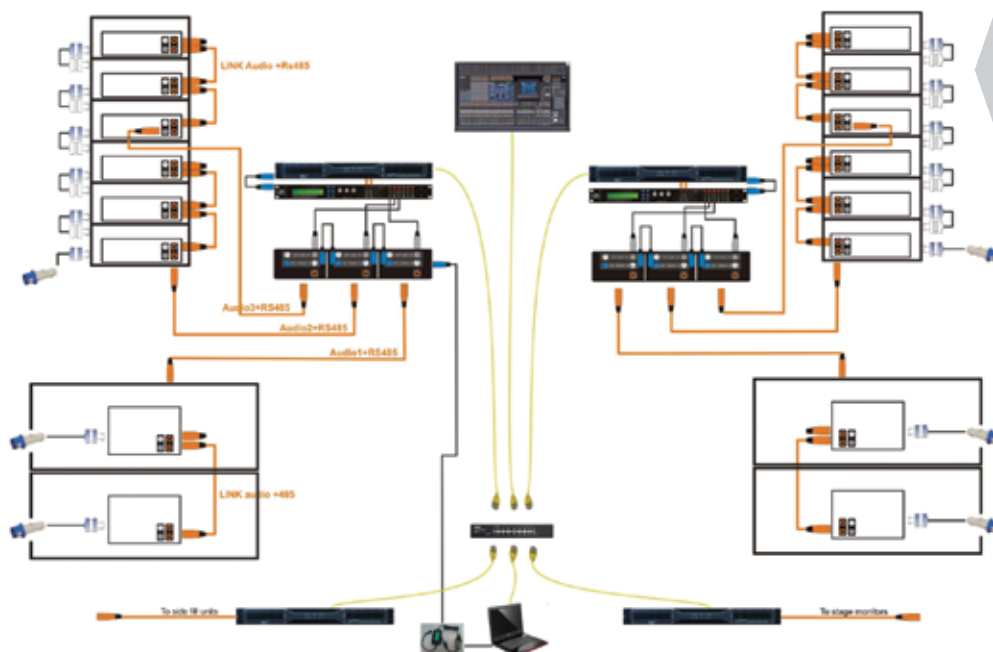
- Router. Recommended model the PowerConnect 2816 or equivalent.
- The BoB (break-out-box) from MC2 as the digital audio to analog audio converter in each of the different zones.
- Patch-panel per zone.

**Monitoring + Cobranet:**  
**Option 1: RS485 to RJ45 Converter.**



Aero 12A + LX-218CA  
 Digital Audio+  
 RS485/Ethernet  
 Integrated connection  
 Router to PC

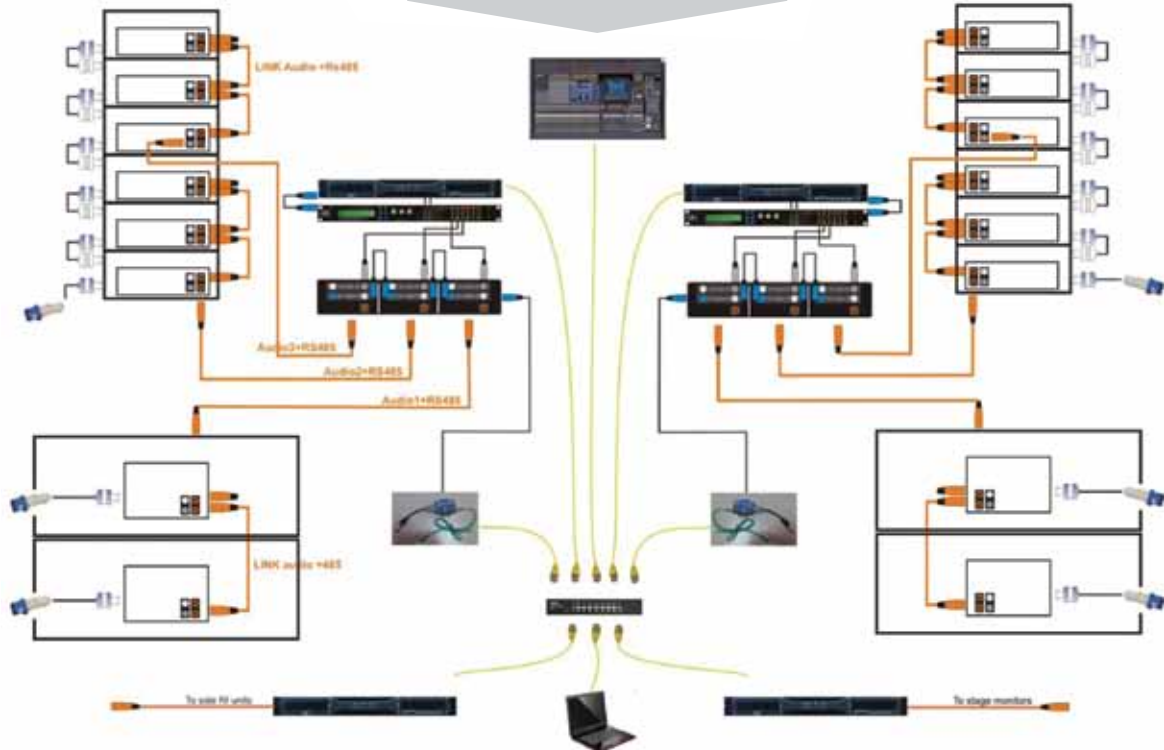
**Option 2: RS485 to USB Converter.**



Aero 12A + LX-218CA  
 Digital Audio +  
 RS485/USB  
 Router connection to PC  
 + USB converter

**Monitoring + Dante:**  
**Option 1: RS485 to RJ45 Converter**

Aero 12A + LX-218CA  
 Digital Audio+RS485/Ethernet  
 Integrated connection  
 Router to PC





DASnet is available for the following models,

	
<b>Aero 8A</b> Optional	<b>Aero 12A</b> Optional
	
<b>Convert 12A</b> Optional	<b>Convert 15A</b> Standard
	
<b>DSP-2060A / DSP-4080</b> Standard	<b>LX-218CRA</b> Optional
	
<b>Road 15A</b> Upgradeable/Optional	<b>Road 12A</b> Upgradeable/Optional







Products that will incorporate **DASnet™** capabilities.

Base Models	DASnet Ready Models	DASnet Product Integration
Aero 8A	Aero 8A.net	Optional
Aero 12A	Aero 12A.net	Optional
Convert 12A	Convert 12A.net	Optional
Convert 15A	Convert 15A .net	Standard
DSP-2060A	DSP-2060A	Standard
DSP-4080	DSP-4080	Standard
LX-218CA	LX-218CA .net	Optional
LX-218CRA	LX-218CRA.net	Optional
Road 12A	Road 12A.net	Upgradeable/Optional
Road 15A	Road 15A.net	Upgradeable/Optional

**DASnet™** Accessories

- KK-Systems USB-485 Converter (includes DSUB-9 to XLR adaptor)
- MOXA Nport Series Ethernet-485 Converter (with DSUB-9 to XLR adaptor)
- DELL PowerConnect 2816 Switch
- Cobranet BOB (break-out-box)
- Dante BOB
- Patch Panel/Box
- Ethernet Panel
- Neutrik Ethercon to RJ45 Adaptor (optional)
- End of line
- Audio+Data Cable with Ethercon terminals (0.5 m, 1 m, 3 m, 10 m lengths)
- RJ45 Cable 0.5 m (standard)
- Link cable with XLR's
- Power cable with Neutrik PowerCon connectors





DASnet



*Notes*







**D.A.S. Audio S.A.**

C/ Islas Baleares, 24  
46988 Fuente del Jarro  
Valencia - SPAIN  
Tel. 961 340 525 - Tel. Intl. +34 961 340 860  
Fax 961 340 607 - Fax Intl. +34 961 340 607

**D.A.S. Audio of America Inc.**

Sunset Palmetto Park. 6816 NW 77th Court  
Miami, FL. 33166 U.S.A.  
Tel. 305 436 0521 - Fax. 305 436 0528  
Toll Free: 1 888 DAS 4 USA

**D.A.S. Audio Asia Pte. Ltd.**

25 Kaki Bukit Crescent # 01-00/02-00  
Kaki Bukit Techpark I - Singapore 416256  
Tel. +65 6742 0151 - Fax. +65 6742 0157

Supporting  
Company

